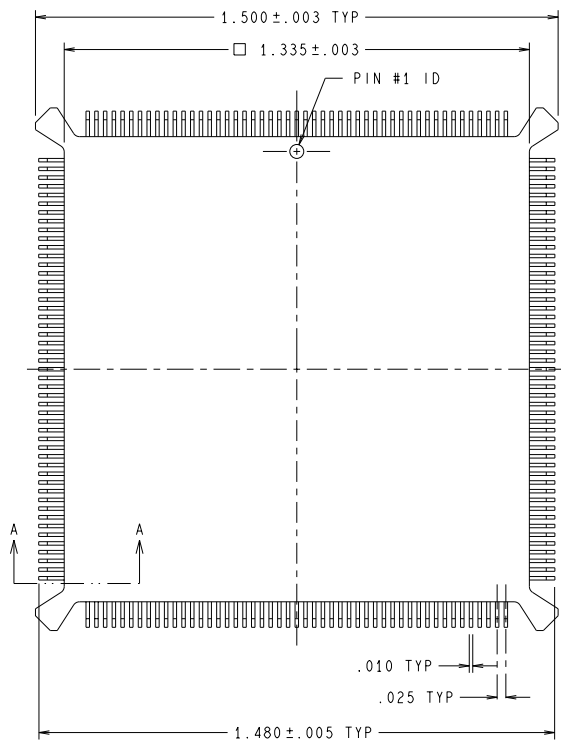
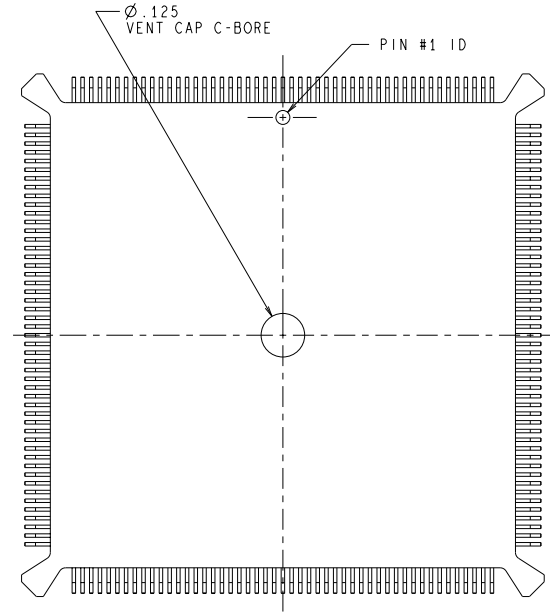
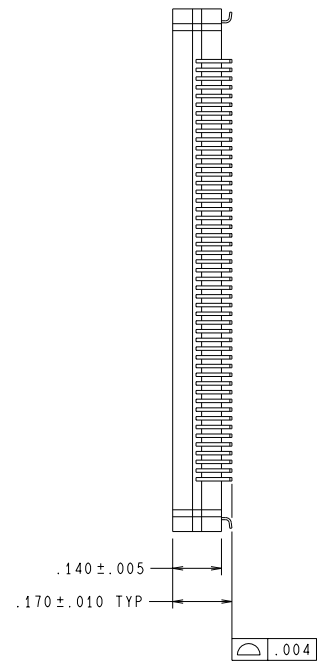


REVISIONS				
LTR	DESCRIPTION	E.C.N.	DATE	BY/APP'D
A	RELEASE TO DOCUMENT CONTROL	10650	10/21/94	KES/



TOP VIEW (CAVITY DOWN)
BOTTOM VIEW (CAVITY UP)

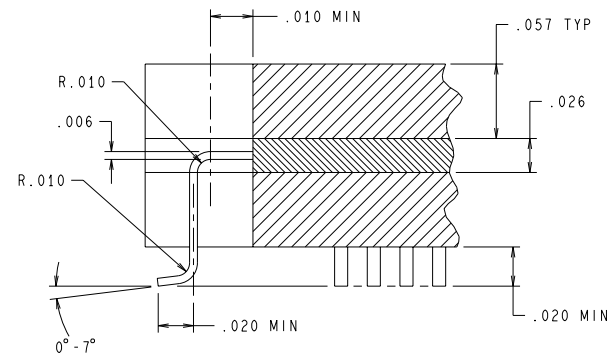


BOTTOM VIEW (CAVITY DOWN)
TOP VIEW (CAVITY UP)

DIMENSIONS ARE IN INCHES

NOTES: UNLESS OTHERWISE SPECIFIED

- STANDARD LEAD FINISH: 200 MICRONS MINIMUM SOLDER PLATING (85/15) THICKNESS.
- REFERENCE: INDY DRAWING 04-196-YU-001, REV C, DATED 03/02/94.



SECTION A-A
TYPICAL, SCALE: 15X

APPROVALS		DATE	 National Semiconductor 2900 Semiconductor dr, Santa Clara, CA 95052-8090		
DRAWN	KURT SINCERBOX	10/21/94	MQAD, (S), 196 LEAD		
DFTG. CHK.					
ENGR. CHK.					
 PROJECTION 1/8" (MM)		SCALE	SIZE	DRAWING NUMBER	REV
		N/A	C	MKT-AFA196A	A
DO NOT SCALE DRAWING				SHEET 1 of 1	