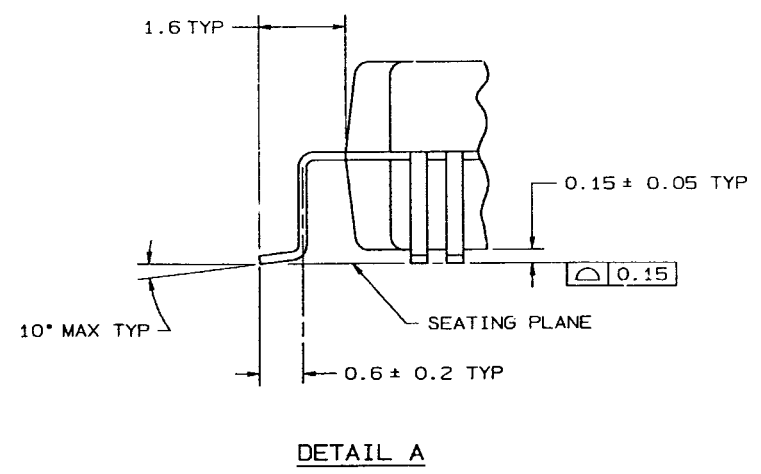
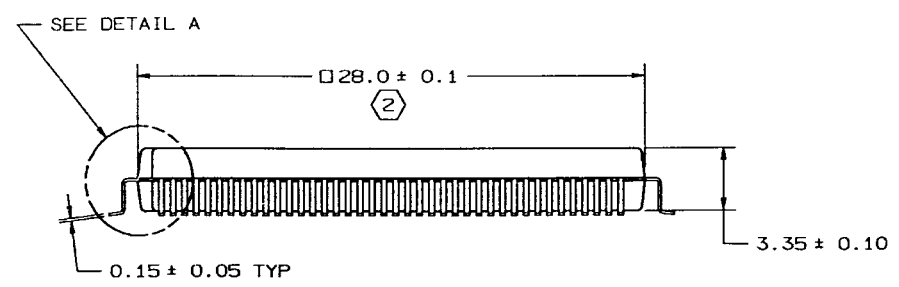
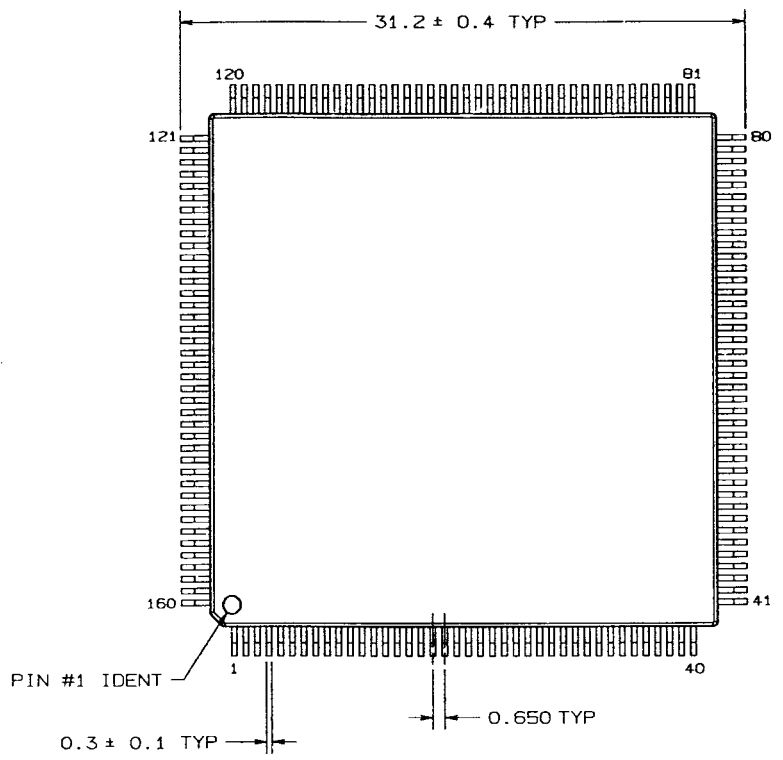


REVISIONS				
LTR	DESCRIPTION	E.C.N.	DATE	BY/APP'D
A	RELEASE TO DOCUMENT CONTROL	09291	08/24/92	MS/HJ



NOTES: UNLESS OTHERWISE SPECIFIED

- STANDARD LEAD FINISH:  
5.08 MICROMETERS MINIMUM PER SIDE SOLDER THICKNESS ON ALLOY 42 OR COPPER.
- DIMENSION DOES NOT INCLUDE MOLD PROTRUSION. MAXIMUM ALLOWABLE MOLD PROTRUSION 0.25mm PER SIDE.
- REFERENCE SEIKO EPSON QFP8-160 PIN, REV 4.

DIMENSIONS ARE IN MILLIMETERS				
APPROVALS	DATE	NATIONAL SEMICONDUCTOR CORPORATION		
DRAWN MARTA SUCHY	08/24/92	2900 Semiconductor Drive, Santa Clara, CA 95052-8090		
DFIS_CHK Marta Suchy	8/25/92	PQFP, (S), 28 X 28 X 3.35 mm, 160 LEAD		
EMBB_CHK R S Kinn	8/26/92			
APPROVAL		SCALE	SIZE	DRAWING NUMBER
		N/A	C	MKT-VQL160A
		FORMERLY:	N/A	SHEET 1 OF 1
				REV A